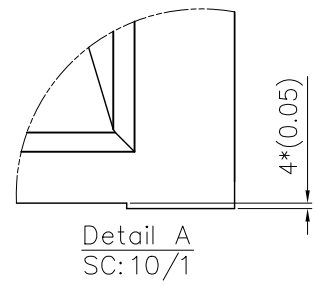
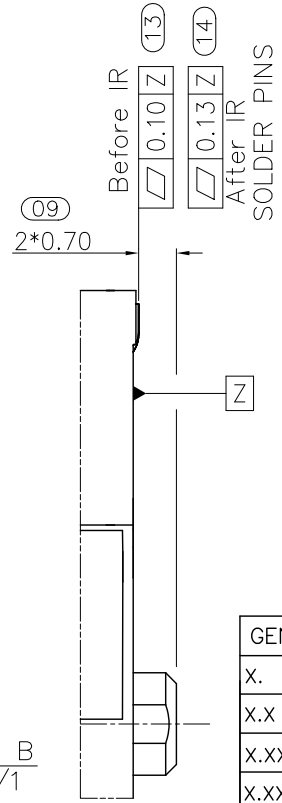
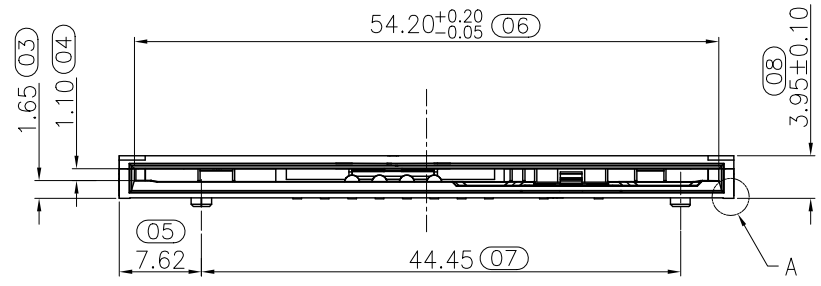
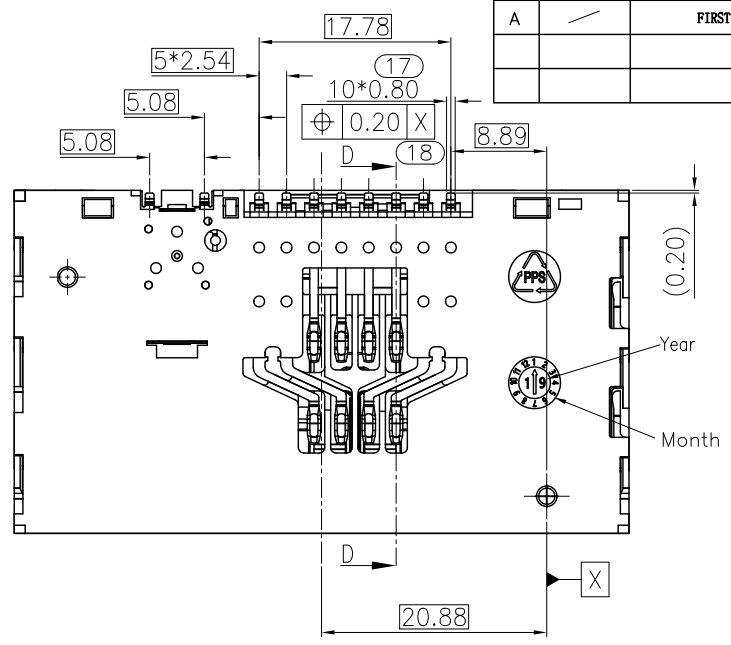
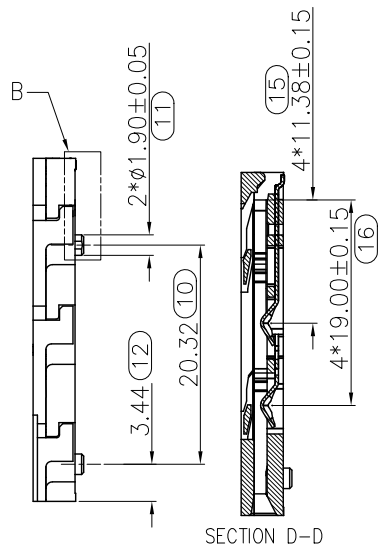
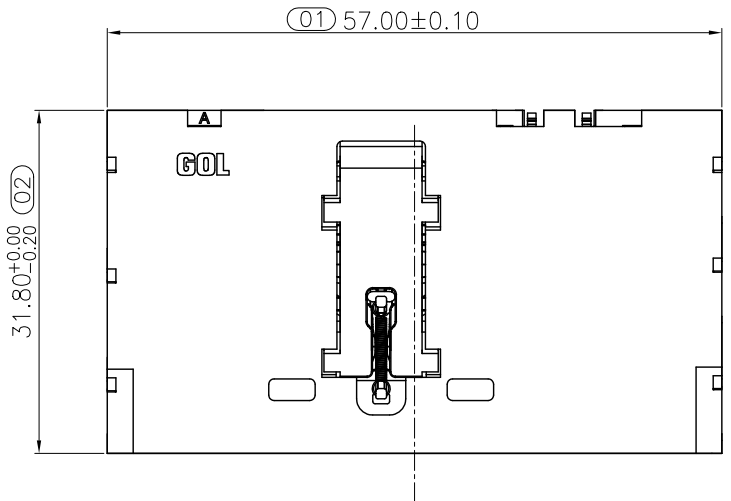
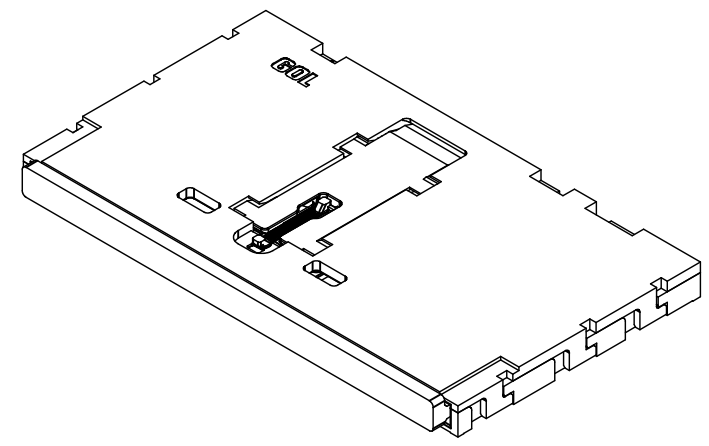


| REV. | ECN.NO. | MODIFY.CONTENT | DATE |
|------|---------|----------------|----------|
| A | | FIRST VERSION | 11/18'20 |



Detail B
SC: 5/1



| | | | | | | | |
|-------------------|-------|-------|---------|----------|---|----------|------------------|
| GENERAL TOLERANCE | | DRAWN | HJ.Wang | 11/18'20 | SCALE | PART NO. | 1SMT009K08R1X-00 |
| X. | ±0.40 | x.± | 1° | CHECKED | Ray Lee | 11/18'20 | 1/3 |
| X.X | ±0.30 | .x | ±0.1° | APPROVED | Murray.lu | 11/18'20 | TITLE |
| X.XX | ±0.25 | | | File NO. | SMT00901S | | mm |
| X.XXX | ±0.10 | | | REV. | | | CUSTOMER DRAWING |
| SHEET | 1/4 | Q'TY | 1 | A | 蘇州祥龍嘉業電子科技股份有限公司 Goldenconn Electronics Technology Co.,LTD | | |

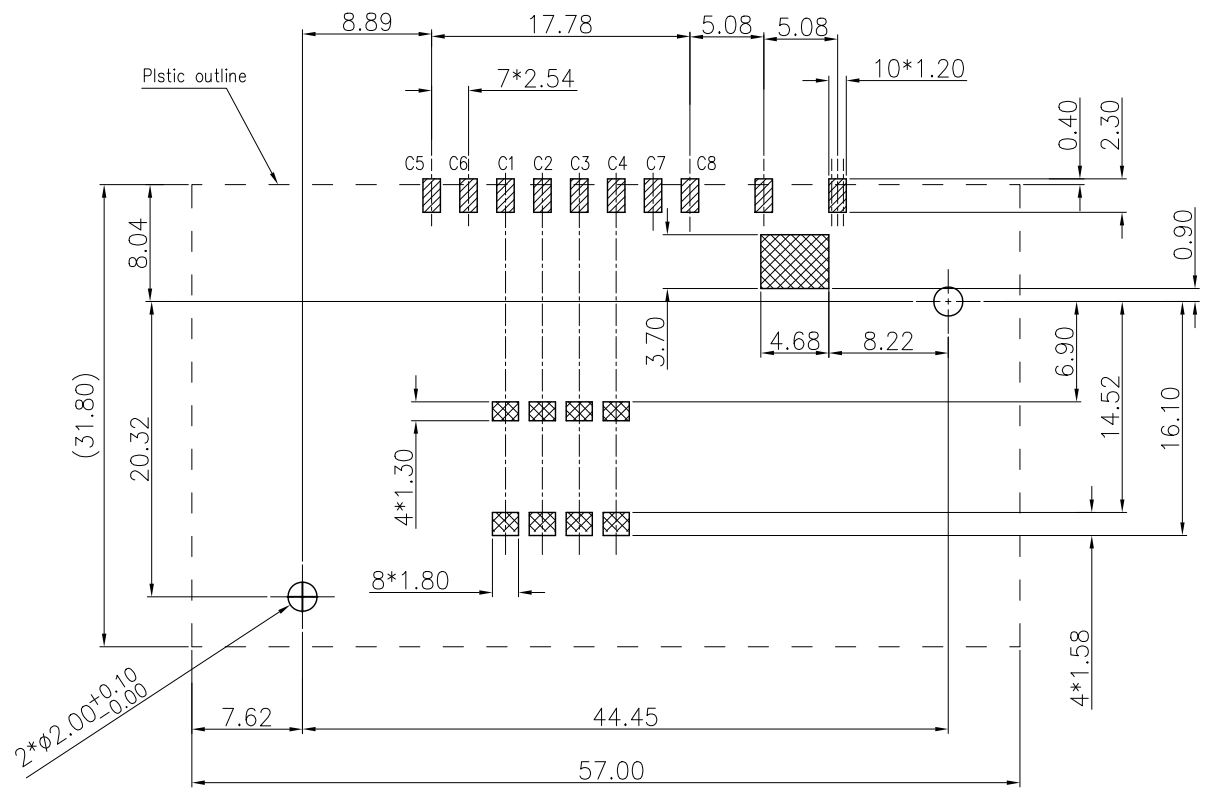
此文件为双方检验的唯一标准
This document is the only standard for inspection by both parties

| REV. | ECN.NO. | MODIFY.CONTENT | DATE |
|------|---------|----------------|----------|
| A | / | FIRST VERSION | 11/18'20 |
| | | | |
| | | | |

Specifications:

- General Information
 - Contact Principle: Landing Technology
 - Mounting Type: SMT
 - Switch: Normal Open With Sealed End Switch
 - Durability: Insert And Withdraw Card For 500,000 Cycles At Maximum Rate Of 600 Cycles Per Hours (Conditions: In A Clean Office Room. In Damp Or Dirty Atmosphere, The Life May Be 1/3 To 1/5 Of The Above Figures)
- Material & Finish:
 - Data Contact: Copper Alloy
 - Gold Flash Over Palladium 30u" Over Nickel On Contact Area, Tin Plated On Terminal Area
 - Insulator: Thermoplastic, UL94V-0
 - Switch: Copper Alloy
 - Gold Flash Over Nickel Plated On Contact Area, Tin Plated On Terminal Area
- Electrical Specification
 - Contacts
 - Contact Resistance: 200m Ohms Max.
 - Insulator Resistance: 1000M Ohms Min.
 - Dielectric Withstanding Voltage: 1000V AC R.M.S. Min.
 - Rating Voltage: 30V AC
 - Current Rating: 1A Max, 10uA Min.
 - Sealed End Switch
 - Switching Voltage: 20mV Min. 50V Max.
 - Switching Current: 1mA Min. 300mA Max.
 - Switching Load: 1VA Max.
 - Contact Resistance: 400m Ohms Max.
 - Insulation Resistance: 100M Ohms Min.
- Mechanical Specification
 - Card Insertion Force: 8 N Max.
 - Card Withdrawal Force: 0.8~4.5N
 - Contact Force: 0.2N ~ 0.6N
 - Contact Retention Force: 0.3kgf Min.
- Environmental Specification
 - Operating Temperature: -40°C ~ +70°C
 - Operating Humidity: 10% ~ 100% RH
 - Solderability: Reflow Soldering: 260°C 10 Sec. Max.
 - Storage Temperature: -40°C ~ +85°C
 - Air Pressure: 70kPa ~ 106kPa.
- Chip Contact Location Specification
 - According To: ISO 7816-2
- RoHS Compliant.
- Part NO. 1SMT009K08R1*-00

Packing
R: Reel
T: Tray

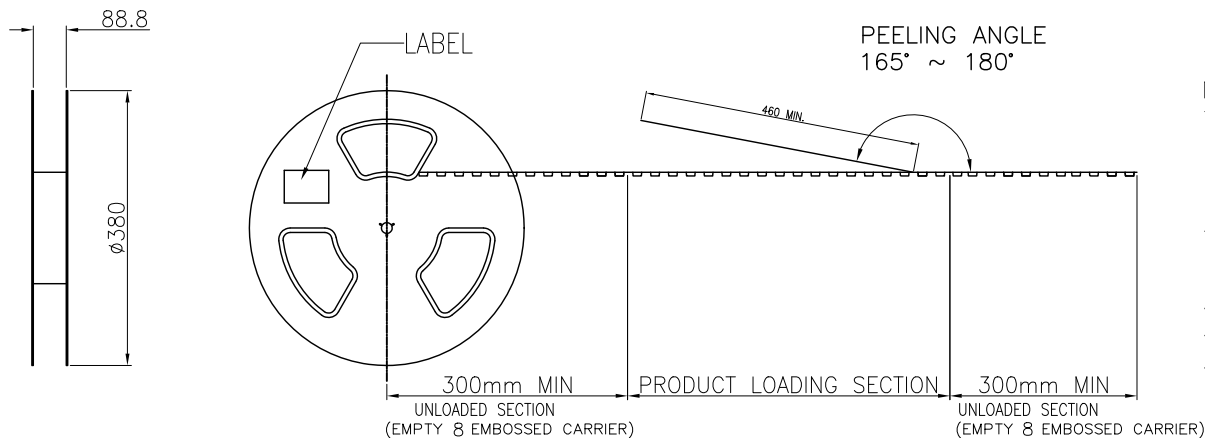


RECOMMENDED PCB LAYOUT
(TOLERANCE: ±0.1)

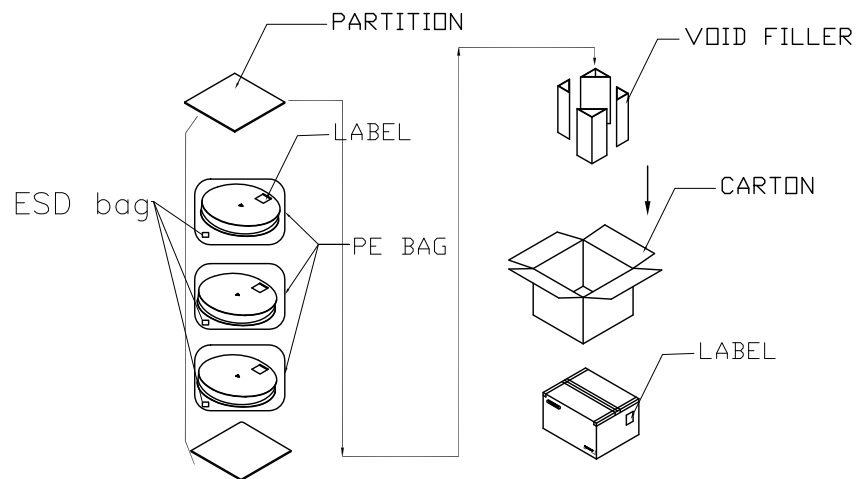
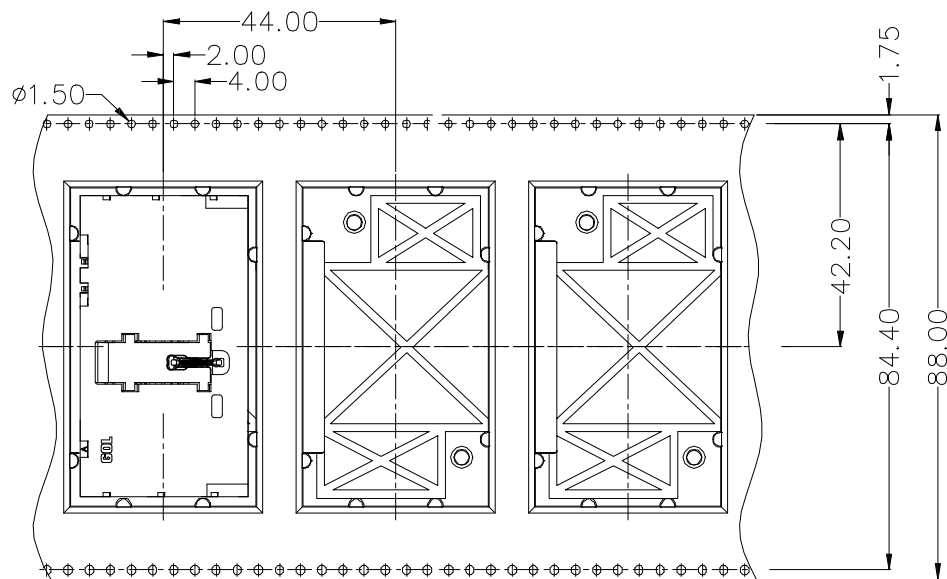
▨ PAD AREA
▩ No Exposed Circuit

| GENERAL TOLERANCE | | DRAWN | HJ Wang | 11/18'20 | SCALE | PART NO. | 1SMT009K08R1X-00 | |
|-------------------|-------|----------|----------|---|----------|----------|------------------|---------------------------------|
| X. | ±0.40 | x. ± 1° | CHECKED | Ray Lee | 11/18'20 | 1/1 | TITLE | SMART CARD CONNECTOR, H=3.95MM. |
| X.X | ±0.30 | .x ±0.1° | APPROVED | Murray, lu | 11/18'20 | UNITS | mm | CUSTOMER DRAWING |
| X.XX | ±0.25 | | File NO. | SMT00901S | | | | |
| X.XXX | ±0.10 | | REV. | 蘇州祥龍嘉業電子科技股份有限公司 Goldenconn Electronics Technology Co.,LTD | | | | |
| SHEET | 2/4 | Q'TY | 1 | | | | | |

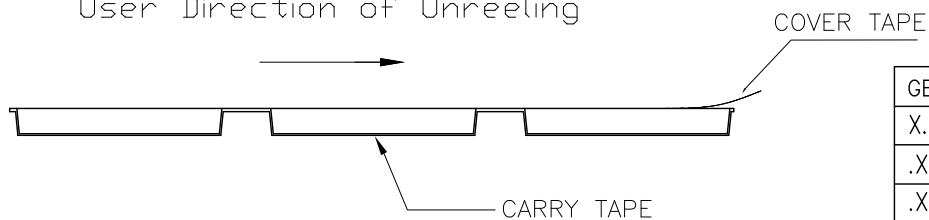
| REV. | ECN.NO. | MODIFY.CONTENT | DATE |
|------|---------|----------------|----------|
| A | -- | FIRST VERSION | 11/18'20 |
| | | | |
| | | | |



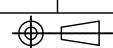
- NOTES :
- MATERIAL :
COVER TAPE : P.S T=0.05mm
CARRIER TAPE : P.S T=0.30mm
CARTON: CORRUGATED FIBER
 - DIMENSION :
REEL : SEE DRAWING
SHIPPING BOX: 400X400X300mm
 - QUANTITY : SEE TABLE
 - PEELING RESISTANCE : 10gf~130gf (for 12~56mm)
 - PEELING SPEED : 300mm/MINUTES



User Direction of Unreeling

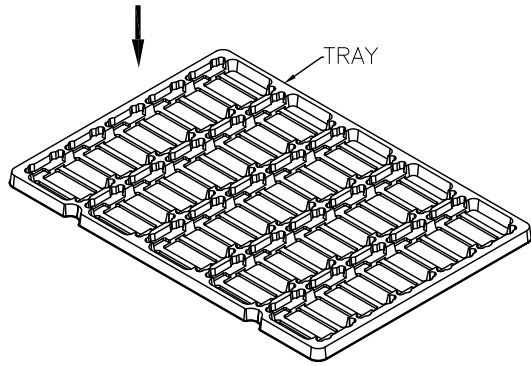
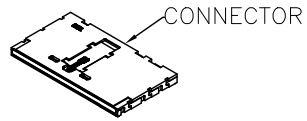


| 200 | 3 | 600 |
|----------|----------|------------|
| PCS/REEL | REEL/BOX | TOTAL Q'TY |

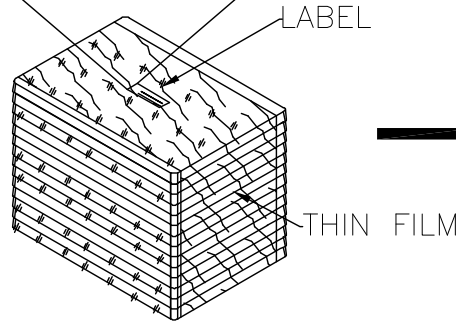
| | | | | | | |
|-------------------|----------|----------|-----------|---|------------------|--------------------------------|
| GENERAL TOLERANCE | DRAWN | HJ.Wang | 11/18'20 | SCALE | PART NO. | 1SMT009K08R1X-00 |
| X.±0.40 | x.°±1' | CHECKED | Ray Lee | 11/18'20 | TITLE | SMART CARD CONNECTOR,H=3.95MM. |
| .X±0.30 | .x°±0.1' | APPROVED | Murray.lu | 11/18'20 | UNITS | mm |
| .XX±0.25 | | File NO. | SMT00901S |  CUSTOMER DRAWING | | |
| .XXX±0.10 | | REV. | | | | |
| SHEET | 3/4 | Q'TY | 1 | REV. | 蘇州祥龍嘉業電子科技股份有限公司 | |
| | | | | Goldenconn Electronics Technology Co.,LTD | | |

此文件为双方检验的唯一标准
This document is the only standard for inspection by both parties

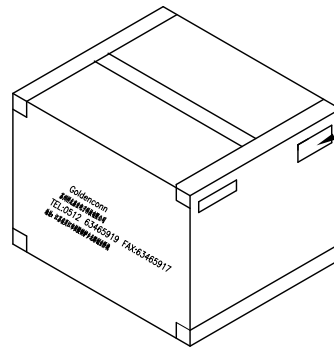
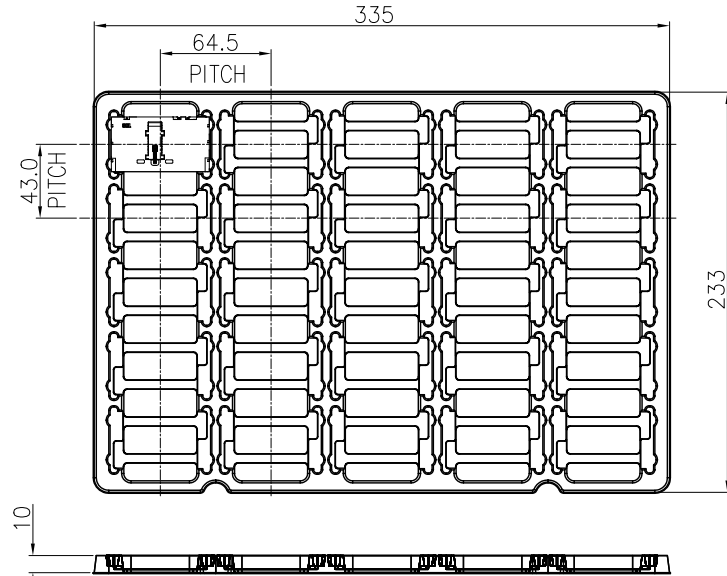
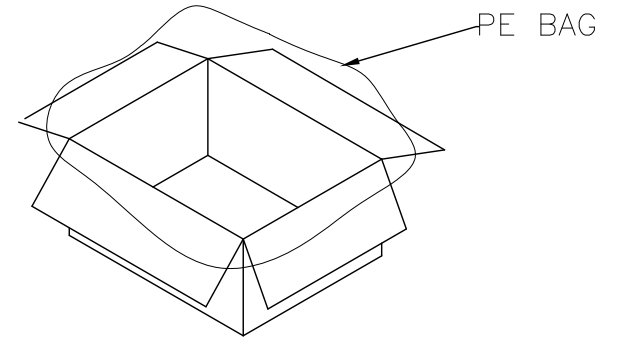
| REV. | ECN.NO. | MODIFY.CONTENT | DATE |
|------|---------|----------------|----------|
| A | -- | FIRST VERSION | 11/18'20 |
| | | | |
| | | | |



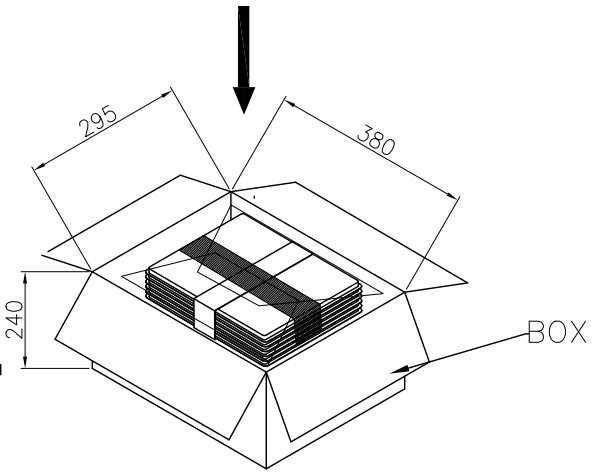
AUK P/N: 1SMT009K08R1T-00
Q'TY: 500 PCS



20 TRAY / PILE
(TOP TRAY IS EMPTY)



20 TRAY/ BOX
(500PCS/BOX)



NOTES :

- MATERIAL :
TRAY: P.S T=0.6mm
CARTON: CORRUGATED FIBER
- DIMENSION :
TRAY : SEE DRAWING
SHIPPING BOX: 380X295X240mm
- QUANTITY : SEE TABLE
- SHIPMARKS ARE AFFIXED ON FRONT SIDE OF THE CARTON BOX
SHIPMARKS IS UPON TO CUSTOMER INFORMATION.

此文件为双方检验的唯一标准
This document is the only standard for inspection by both parties

| | | |
|----------|----------|------------|
| 25 | 20 | 500 |
| PCS/TEAY | TRAY/BOX | TOTAL Q'TY |

| | | | | | | |
|---|----------|----------|------------------|------------------|----------|--------------------------------|
| GENERAL TOLERANCE | DRAWN | HJ.Wang | 11/18'20 | SCALE | PART NO. | 1SMT009K08R1X-00 |
| X.±0.40 | x.°±1' | CHECKED | Ray Lee | 11/18'20 | TITLE | SMART CARD CONNECTOR,H=3.95MM. |
| .X±0.30 | .x°±0.1' | APPROVED | Murray.lu | 11/18'20 | UNITS | mm |
| .XX±0.25 | | File NO. | SMT00901S | CUSTOMER DRAWING | | |
| .XXX±0.10 | | REV. | 蘇州祥龍嘉業電子科技股份有限公司 | | | |
| SHEET | 4/4 | Q'TY | 1 | REV. | A | |
| Goldenconn Electronics Technology Co.,LTD | | | | | | |